

60" ANTHEA DOUBLE ACRYLIC ROLL TOP TUB

Cat. No.
ADTR60



L: 60"
W: 30"
H: 24-1/2" (from floor)
18" (from bottom of tub)

Water Depth: 11-1/2" to OF

The following is recommended for ADTR60 tubs

- Tub wall-mounted faucets: **#4022, 4025 or 4035**
- Double offset bath supplies: **Part# 5576**
- Leg tub drain: **Part# 5599**

Do not use with rigid, freestanding supplies

Gallon Capacity: 40
Shipping Weight: 110 lbs.
Empty Weight: 62 lbs.
Filled Weight: 396 lbs.



WARNING: This product can expose you to chemicals, including Toluene and Styrene, which are known to the state of California to cause cancer and birth defects or other reproductive harm.
For more information go to www.P65Warnings.ca.gov

Features:

- ▶ Inside finish is either white or bisque to match outside color
- ▶ Pre-drilled overflow hole
- ▶ 3-3/8" centers in tub wall
- ▶ Smooth acrylic surface inside and out
- ▶ Cast aluminum ball and claw feet
- ▶ Tubs ship with feet attached and leveled
- ▶ Tubs thoroughly inspected before shipment

Tub Colors

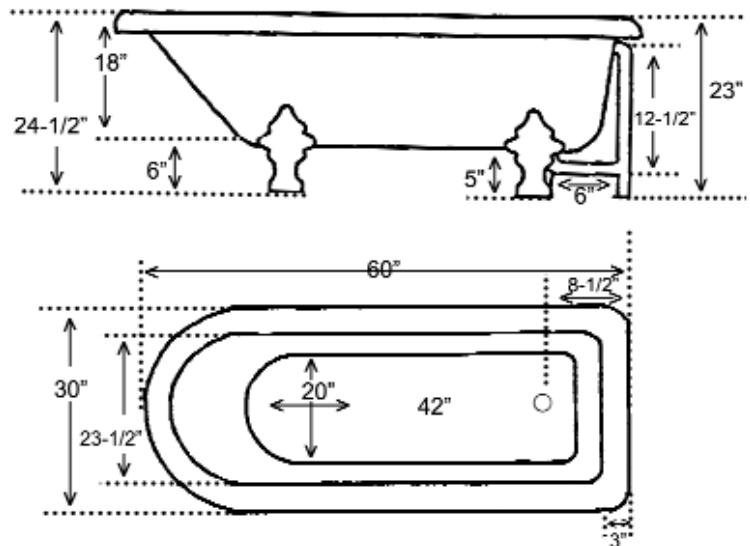
WH White **BQ** Bisque



Foot Finishes

BQ Bisque	BN Brushed Nickel
BL Black	ORB Oil Rubbed Bronze
PB Polished Brass	PN Polished Nickel
CP Polished Chrome	WH White

Custom Colors Available (inside of tub is always white enamel):
Painted bathtubs are considered "special order" and are not returnable
\$160 Bisque or Black \$250 Designer Color



Dimensions are nominal and specifications subject to change without notice.

TUB FILLER

Cat. No.
4050



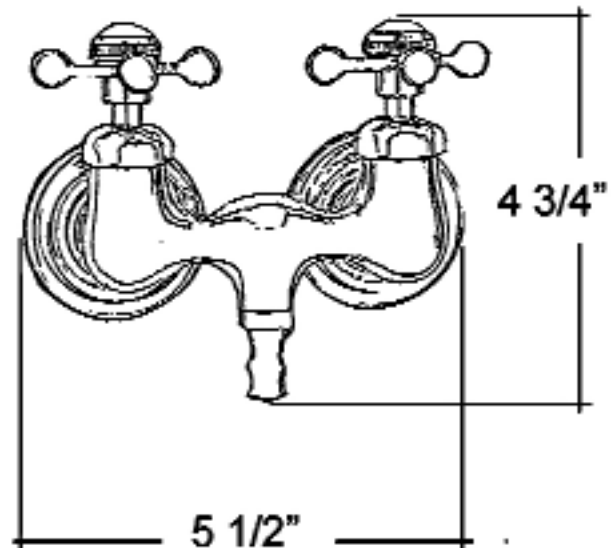
L: 4-³/₄"
W: 5-¹/₂"
D: 3-¹/₄"

Features:

- ▶ Old Style Spigot
- ▶ Compression stems
- ▶ 3-³/₈" Centers for tub wall mount installation
- ▶ Ceramic hot and cold buttond
- ▶ ³/₄" Nipples
- ▶ Metl cross handles
- ▶ Flow rate is 3.89 GPM
- ▶ IAPMO approved
- ▶ For use with double offset supplies #5576

Finishes:

- CP** Polished Chrome
- PN** Polished Nickel
- BP** Polished Brass
- SN** Brushed Nickel



WARNING: This product can expose you to chemicals, including lead which is known to the State of California to cause cancer or birth defects or other reproductive harm, for more information, go to www.p65warnings.ca.gov

Dimensions are nominal and may vary. Dimensions and specifications subject to change without notice.

DOUBLE OFFSET BATH SUPPLIES

Cat.No.
5576



H: 24"

OD: 1/2"

Features:

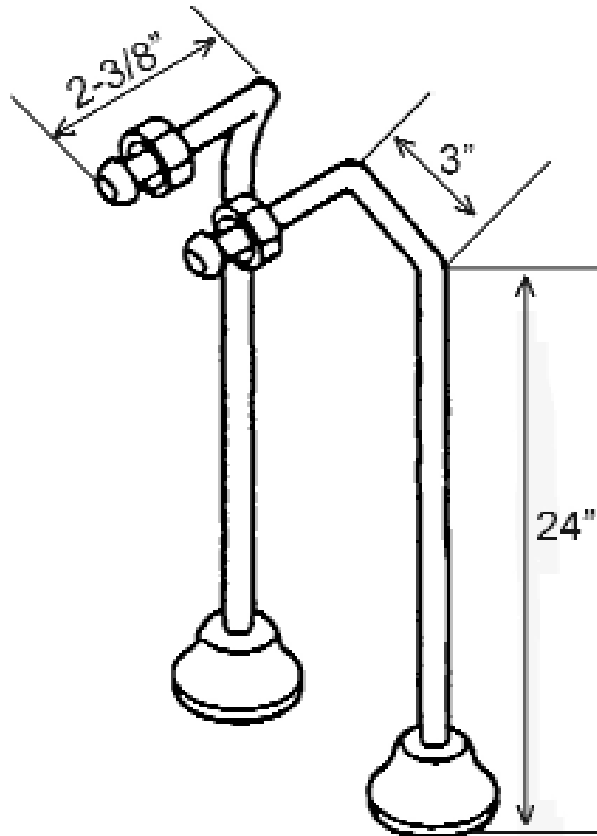
- ▶ For use with faucets mounted to the tub wall
- ▶ No Stops
- ▶ 1/2" Compression inlet
- ▶ 3/4" Compression outlet
- ▶ 0.500" Outer diameter
- ▶ 0.440" Inner diameter
- ▶ 0.030" Thickness of the wall
- ▶ IAPMO approved
- ▶ Available in 5 finishes

Compliance Certification

Meets or exceeds the following specifications: ASME-A112 (and 19.6M) for Vitreous china fixtures. ASME 112.19.9M for fire clay fixtures.

Finishes:

CP	Polished Chrome	PN	Polished Nickel
PB	Polished Brass	BN	Brushed Nickel
ORB	Oil Rubbed Bronze		



WARNING: This product can expose you to chemicals, including lead which is known to the State of California to cause cancer or birth defects or other reproductive harm, for more information, go to www.p65warnings.ca.gov

Use on concrete floors requires special installation. We recommend using a plumbing professional.

Dimensions and specifications subject to change without notice.

LEG TUB DRAIN

Cat. No.
5599



Escutcheon Height: 1-1/4"

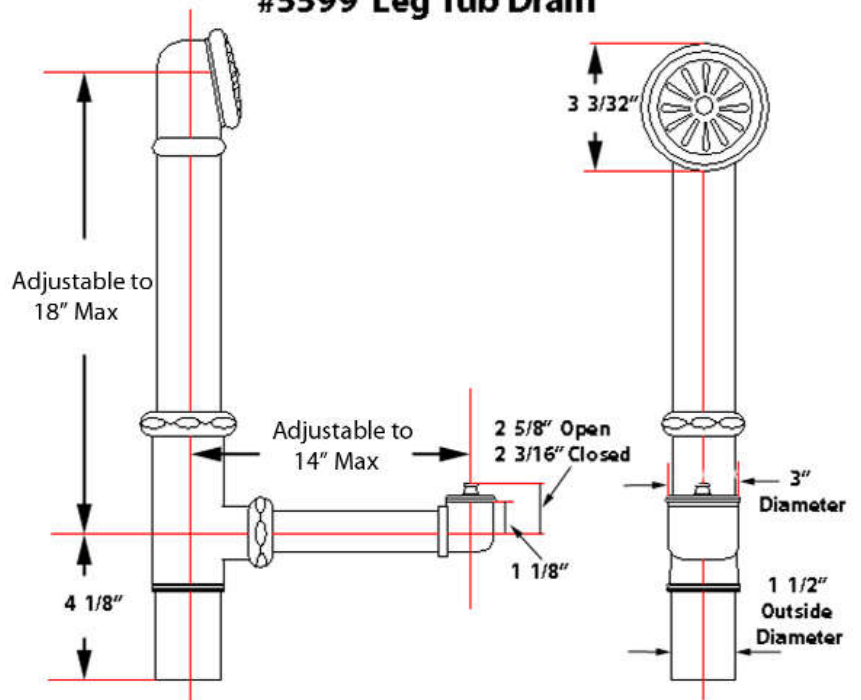
Features:

- ▶ Twist-and-lift stopper
- ▶ Includes deep escutcheon
- ▶ Height adjustable 15"-18"
- ▶ Depth adjustable 12"-14"
- ▶ Includes deep escutcheon
- ▶ IAPMO approved
- ▶ Available in 5 Finishes

Finishes:

- CP** Polished Chrome
- BP** Polished Brass
- SN** Brushed Nickel
- PN** Polished Nickel
- ORB** Oil Rubbed Bronze

#5599 Leg Tub Drain



WARNING: This product can expose you to chemicals, including lead which is known to the State of California to cause cancer or birth defects or other reproductive harm, for more information, go to www.p65warnings.ca.gov

Dimensions and specifications subject to change without notice.

08/28/2018

P 847•244•1234

www.barclayproducts.com